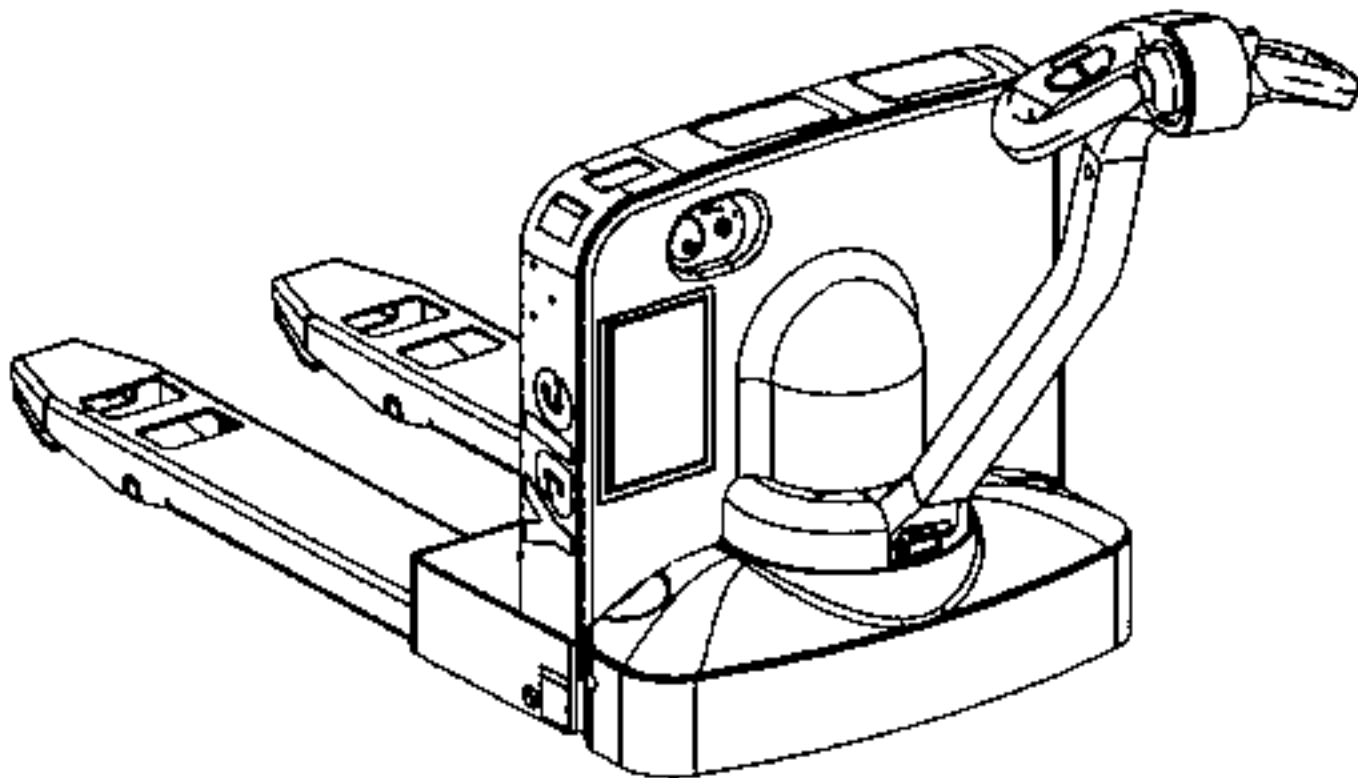
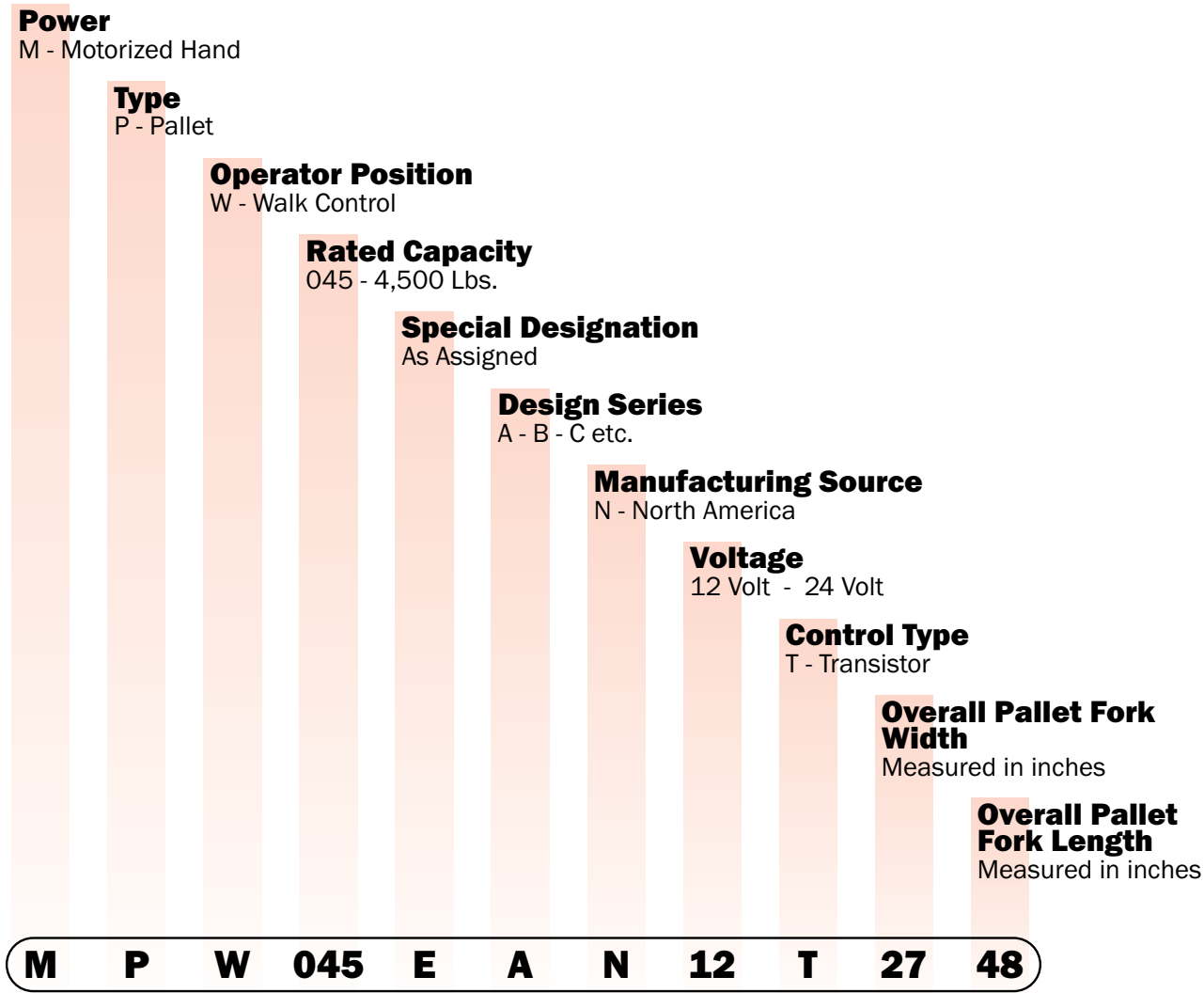


Replacement Parts
for
Yale MPB 040 E (B827)
Yale MPW 045 E (B802)

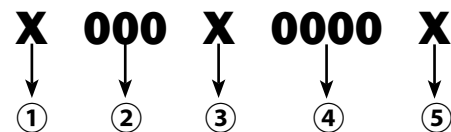


800-462-2370
www.SuperStoresService.com

Truck Data Nomenclature



Truck Serial # (Stamped on Frame)



- ①② First letter and next three numbers indicate truck unit code.
- ③ Second letter indicates Plant of manufacturer.
- ④ Four or five digit number indicates production sequence.
- ⑤ Final letter indicates year of manufacturer (see list on right).

Note: Serial number breakdown applies only to trucks built after 1994.

- 1980 A
- 1981 B
- 1982 C
- 1983 D
- 1984 E
- 1985 F
- 1986 G
- 1987 H
- 1988 J
- 1989 K
- 1990 L
- 1991 M
- 1992 N
- 1993 P
- 1994 R
- 1995 S
- 1996 T
- 1997 U
- 1998 V
- 1999 W
- 2000 X
- 2001 Y
- 2002 Z
- 2003 A
- 2004 B
- 2005 C
- 2006 D
- 2007 E
- 2008 F
- 2009 G
- 2010 H
- 2011 J
- 2012 K
- 2013 L
- 2014 M
- 2015 N
- 2016 P
- 2017 R
- 2018 S
- 2019 T
- 2020 U
- 2021 V
- 2022 W
- 2023 X
- 2024 Y
- 2025 Z

Contents

- Wheels**
[Quick Wheel Lookup](#) 4
- Electrical**
[Battery Tray and Charger](#) 6
- [Control Panel](#) 8
- Drive Unit/Brake**
[Drive Unit and Brake](#) 10
- Motors**
[Drive and Pump Motors](#) 12
- Tiller Arm** 14
- Control Handle Head** 16
- Hydraulic** 18
- Load Wheel and Lift Linkage** 20
- Caster Assembly - Skid Bar** 22

Quick Wheel Lookup

Quick Wheel Lookup

[back to Contents](#)

OEM #	Wheel Type	Description	Wheel OD in/mm	Tread Width in/mm	Inner Diameter in/mm	Bearing #	Material/ Color
YL 524250486	Load Wheel	Load Wheel Assembly, with Shielded Bearings & String Guards, 95-A	3.250/83	4.500/114	2.047/52	BS 6205-ZZ	Scotch, 95-A Polyurethane
YL 524250482	Load Wheel	Load Wheel Assembly, with Sealed Bearings & String Guards, 95-A	3.250/83	4.500/114	2.047/52	BS 6205-2RS	Scotch, 95-A Polyurethane
YL 582010234	Load Wheel	Load Wheel Assembly, with Stainless Steel Bearing & String Guards, 95-A	3.250/83	4.500/114	2.047/52	BS 6205-2RS-SS	Scotch, 95-A Polyurethane
YL 524250486-XL	Load Wheel	Load Wheel Assembly, with Shielded Bearings & String Guards, 97-A	3.250/83	4.500/114	2.047/52	BS 6205-ZZ	Cream, 97-A Polyurethane
YL 524250482-XL	Load Wheel	Load Wheel Assembly, with Sealed Bearings & String Guards, 97-A	3.250/83	4.500/114	2.047/52	BS 6205-2RS	Cream, 97-A Polyurethane
YL 582010234-XL	Load Wheel	Load Wheel Assembly, with Stainless Steel Bearing & String Guards, 97-A	3.250/83	4.500/114	2.047/52	BS 6205-2RS-SS	Cream, 97-A Polyurethane
YL 150118854	Load Wheel	Load Wheel Assembly with String Guards and Axle					
GWK-MPB040E-LW	Load Wheel Kit	(2) Poly Load Wheel Assemblies with (2) Axles and Fasteners	3.250/83	4.500/114	2.047/52	BS 6205-2RS	Scotch, 95-A
GWK-MPB040E-LW-XL	Load Wheel Kit	(2) XL-Poly Load Wheel Assemblies with (2) Axles and Fasteners	3.250/83	4.500/114	2.047/52	BS 6205-2RS	Cream, 97-A
GWK-MPW045E-LW	Load Wheel Kit	(2) Poly Load Wheel Assemblies with (2) Axles and Fasteners	3.250/83	4.500/114	2.047/52	BS 6205-2RS	Scotch, 95-A
GWK-MPW045E-LW-XL	Load Wheel Kit	(2) XL-Poly Load Wheel Assemblies with (2) Axles and Fasteners	3.250/83	4.500/114	2.047/52	BS 6205-2RS	Cream, 97-A
YL 524328746	Riser & Load Wheel	Complete Riser & Load Wheel Assembly, 95-A					Scotch, 95-A
YL 524328746-XL	Riser & Load Wheel	Complete Riser & Load Wheel Assembly, 97-A					Cream, 97-A
YL 517580811	Rubber Drive Tire	Rubber Drive Tire, Smooth Flat	9.00/229	5.00/127	5.00/127		Black Rubber
YL 517580811-XG	Rubber Drive Tire	Rubber Drive Tire, X Groove	9.00/229	5.00/127			Black Rubber
YL 524251411	Rubber Drive Tire	Rubber Drive Tire Assembly, Smooth Flat With Hub	9.00/229	5.00/127			Black Rubber
YL 524251411-XG	Rubber Drive Tire	Rubber Drive Tire Assembly, X Groove With Hub	9.00/229	5.00/127			Black Rubber
YL 524261760	Poly Drive Tire	Poly Drive Tire, 88-92-A, Smooth Flat	9.00/229	5.00/127			Black, 88-92-A Polyurethane
YL 524261760-XG	Poly Drive Tire	Poly Drive Tire, 88-92-A, X Groove	9.00/229	5.00/127			Black, 88-92-A Polyurethane
YL 524142926	Poly Drive Tire	Poly Drive Tire Assembly, 88-92-A, Smooth Flat With Hub	9.00/229	5.00/127			Black, 88-92-A Polyurethane
YL 524142926-XG	Poly Drive Tire	Poly Drive Tire Assembly, 88-92-A, X Groove With Hub	9.00/229	5.00/127			Black, 88-92-A Polyurethane
YL 524252457		Drive Tire Hub					



[YL 150118854](#)
Load Wheel
 Assembly w/ String
 Guards and Axle



[YL 524328746](#)
Complete Riser
 and Load Wheel
 Assembly



[GWK-MPB040E-LW](#)
Load Wheel
 Assembly Kit w/
 Bearings, Axles and
 Fasteners



[YL 524251411](#)
Rubber Drive Tire
 with Hub

Electrical - Battery Tray and Charger

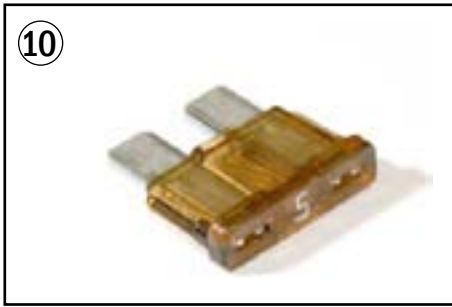
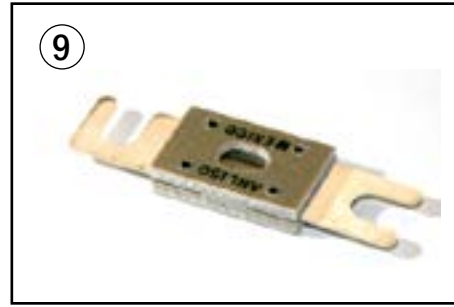
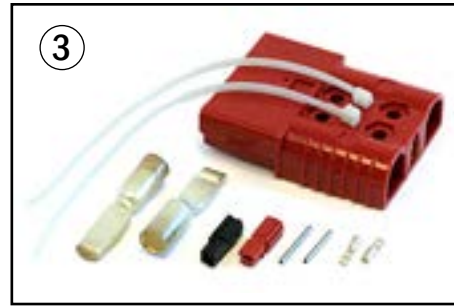


Electrical - Battery Tray and Charger

[back to Contents](#)

Item	Part No.	Date/Serial Range	Description
1	YL 524148828		Battery Tray
2	YL 580029671	Thru 9/2002	Battery Charger, 24V, 120vac, Micro Control
	YL 580034920	10/2002 thru 4/2005	Battery Charger, 24V, 120vac, Micro Control
	YL 580055473	4/2005 thru 11/2007	Battery Charger, 24V, 120vac, Micro Control
	YL 580087314	12/2007 thru B827N37161G	Battery Charger, 24V, 120vac, Micro Control
	YL 582003887	B827N371162G & Later	Battery Charger, 24V, 120vac, Micro Control
3	YL 582031621	B827N5579L & Later	Battery Charger, 24V, 120vac (AMG Battery)
	YL 582031623	B827N5579L & Later	Battery Charger, 24V, 120vac (Flooded Battery)
4	YL 524174528		Battery Cover, W/ Hardware
5	YL 524177764		Utility Cover (Battery Cover)
6	YL 524149774		Knob
7	YL 580033617		Fuse, 10 Amp
	YL 644090802		Fuse, 10 Amp (Replaces YL580033617)

Electrical - Control Panel

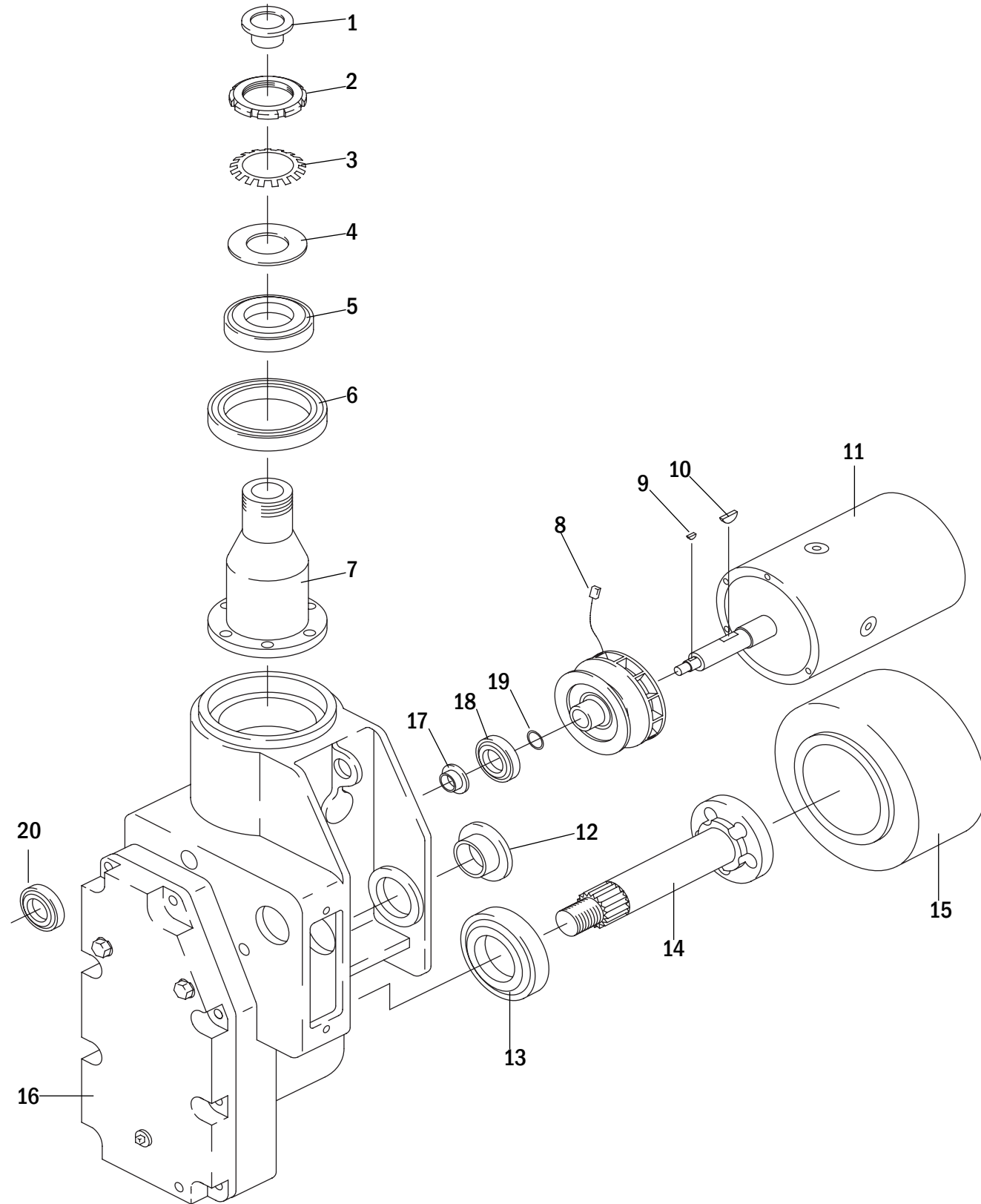


Electrical - Control Panel

[back to Contents](#)

Item	Part No.	Date/Serial Range	Description
1	YL 582011365		Battery Cable & Red Connector (To Batteries)
2	YL 524148473		Battery Connector, Red W/ Cable (To Panel)
3	YL 750550314		SBX 175 Amp Connector, Red
4	AN 6384G1		SBX Contacts, 175 Amp (Set of Two)
5	YL 550029273-R	B827	Controller, 24 Volt, Remanufactured
	YL 550029273-C	B827	Core Deposit
	YL 524149129-R	B802	Controller, 24 Volt, Remanufactured
	YL 524149129-C	B802	Core Deposit
6	YL 500863104		Ignition Switch W/ (2) Keys
7	YL 500863106		Keys, Set of (2)
8	YL 580026708		Battery Discharge Indicator W/ Wire Harness
9	YL 524163968		Fuse, 175 Amp
10	YL 505972528		Fuse, 5 Amp
11	YL 524143269		Horn, Safe-T-Alert, 2000 Series, 12-24V, 102 DB
12	YL 524149908		Main Wiring Harness, 24 Volt
13	YL 752830300		Ground Static Strap
14	YL 524166069	B827	Contactor, 24 Volt
	YL 524149515	B802	Contactor, 24 Volt

Drive Unit and Brake Assembly

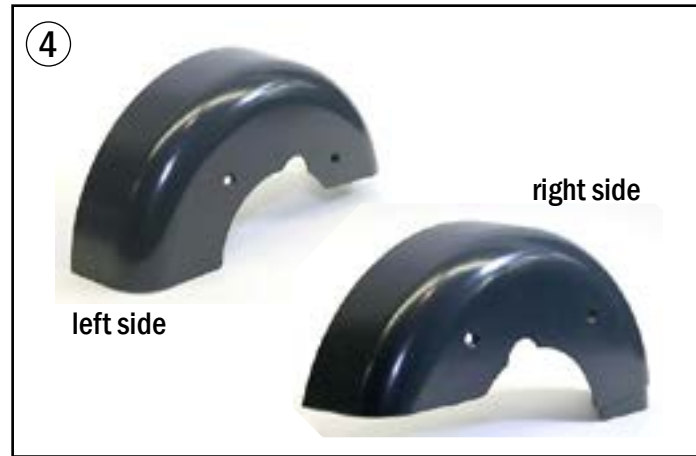


[back to Contents](#)

Drive Unit and Brake Assembly

Item	Part No.	Description
1	YL 520012800	Sleeve
2	YL 940800905	Nut
3	YL 940801905	Lockwasher
4	YL 524149333	Seal
5	YL 580032520	Bearing Set
6	YL 580032519	Bearing Set
7	YL 524149332	Spindle
8	YL 524148583	Brake Assembly
9	YL 502389911	Woodruff Key
10	YL 524158214	Key
11		See Motor Section Page 12
12	YL 272015100	Bushing
13	YL 055076400 YL 060235200	Bearing Cup Bearing Cone
14	YL 506566500	Drive Axle
15		See Quick Wheel Lookup Section Page 4
16	YL 524158215	Drain Plug
17	YL 524179810	Spacer (Oil Flinger)
18	YL 015130200	Bearing
19	YL 580039449	O-Ring
20	YL 524179811	Bearing

Motors



Motors

[back to Contents](#)

Item	Part No.	Date/Serial Range	Description
1	YL 580031000-AM		Traction Motor, 24 Volt, After-Market
2	YL 580029149-AM		Traction Motor Brush & Spring Set, After-Market Motor
3	YL 580029149		Traction Motor Brush & Spring Set, OEM Motor
4	YL 524144502 YL 524144503		Motor Cover, Left Hand Side Motor Cover, Right Hand Side
5	YL 580012669-AM YL 580028970-AM	B827 B802	Pump Motor, 24 Volt, After-Market Replacement Pump Motor, 24 Volt, After-Market Replacement

Tiller Arm

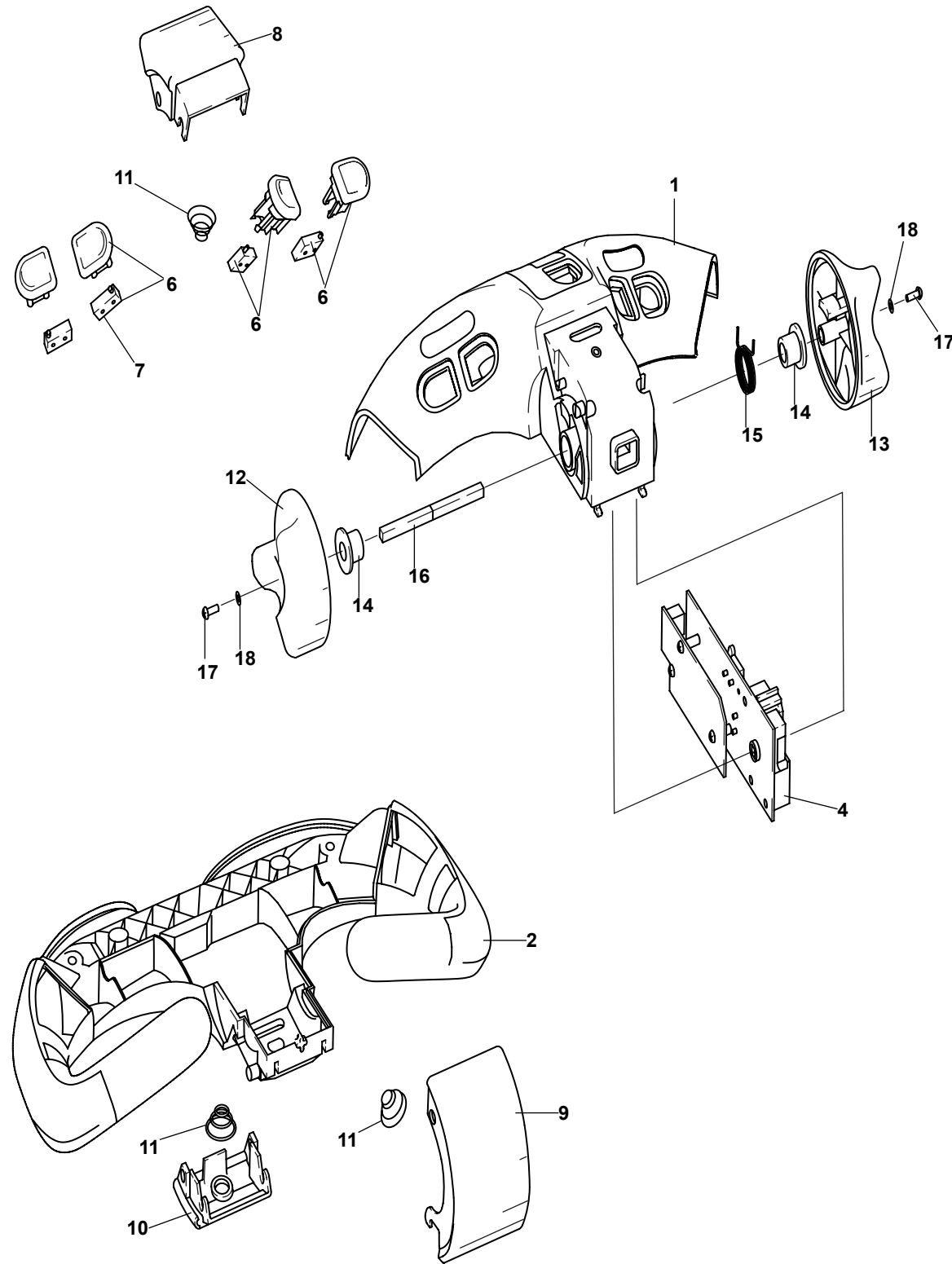


Tiller Arm

[back to Contents](#)

Item	Part No.	Date/Serial Range	Description
1	YL 524143951	Up to S/N B827N37823G	Tiller Handle Arm
	YL 582003278	Begin S/N B827N37823G	Tiller Handle Arm
2	YL 524149338	Thru S/N B802N01772A	Gas Spring, MPW 045E
		Thru S/N B827N06134A	Gas Spring, MPB 040E
		Thru S/N B827N05727A	Gas Spring, MPB 040E, Cold Storage
	YL 524182269	S/N B802N01773A	Gas Spring W/ Wiper, MPW 045E
		- S/N B802N02096B	
		S/N B827N06135A	Gas Spring W/ Wiper, MPB 040E
		- S/N B827N11673B	
	YL 580046812	S/N B827N05728A	Gas Spring W/ Wiper, MPB 040E, Cold Storage
		- S/N B827N11673B	
		S/N B802N02097B & Later	Gas Spring, MPW 045E
3	YL 580031999	Up to S/N B27N37823G	Pin
	YL 580063963	Begin S/N B827N37823G	Pin
4	YL 580013974 YL 524228854	Thru 8/2005	Proximity Sensor
		Beginning 9/2005	Proximity Sensor
5	YL 580046976		Wire Harness, Tiller Handle
6	YL 524179191		Pin, Tiller Pivot (2 Required)
7	YL 272006400		Washer (2 Required)
8	YL 524149326		Bumper (2 Required)
9	YL 520053859 YL 449007001	Thru S/N B827N37822G	Screw
		Begin S/N B827N37823G	Screw
10	YL 449022018		Lock Washer
11	YL 580002500	Thru S/N B802N02247B	Clamp, MPW 045E
		Begin S/N B802N02248B	Clamp, MPW 045E
	YL 580021175	Thru S/N B827N14264B	Clamp, MPB040E
		Begin S/N B827N14265B	Clamp, MPB040E
12	YL 900014292 YL 580030967 YL 582015520	Units Built Before 2005	Cap screw
		Units Built 2006 & Later	Bolt
		Units Built 2006 & Later	Nut
13	YL 449021001		Lock Washer
14	YL 449022016		Washer
15	YL 272106000		Screw
16	YL 580032000		Plug (Not Shown)

Control Handle Head



Control Handle Head

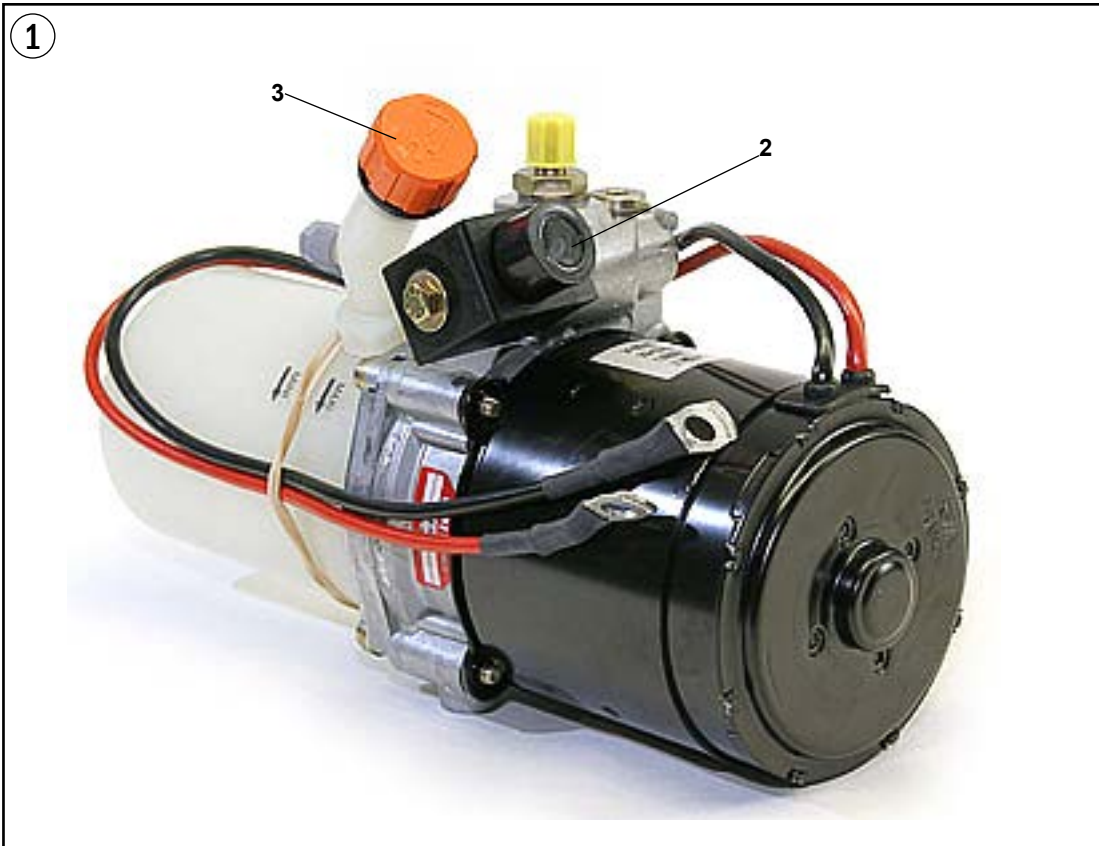
[back to Contents](#)

Item	Part No.	Date/Serial Range	Description
	YL 524138793		Tiller Head Assembly
1	YL 524139006		Control Handle, Upper
2	YL 580011989	Thru 11/2003	Control Head, Lower
	YL 524182434	12/2003 thru 4/2009	Control Head, Lower
	YL 524338448	Begin 5/2009	Control Head, Lower
3	YL 550010160		Handle Upgrade Kit, Metal Grip (not shown)
4	YL 580025595-R	Thru 11/2003	Interface Board, Renewed
	YL 580025595-C		Core Deposit
	YL 524277849-R	12/2003 thru 4/2009	Interface Board, Renewed
	YL 524277849-C		Core Deposit
	YL 582006562-R	Begin 5/2009	Interface Board, Renewed
	YL 582006562-C		Core Deposit
6	YL 524148521		Switch Assembly, (2) Wire, RH & LH
7	YL 580026824		Microswitch, ON/Off Switch with Molex Connector
8	YL 524139009	Thru 3/2009	Horn Cover
	YL 582003460	Begin 4/2009	Horn Cover
9	YL 580011991		Cover, Belly Switch
10	YL 580013128	Thru 6/2005	Cover, Turtle Option
	YL 524139010	Begin 7/2005	Cover, Turtle Option
11	YL 580012969		Spring, (Belly/Horn/Turtle)
12	YL 524139007		Buttlerfly Switch, Left Hand
13	YL 524139008		Buttlerfly Switch, Right Hand
14	YL 580012962		Bushing, Buttlerfly Switch
15	YL 580012970		Spring, Throttle
16	YL 580013106		Camshaft, Directional Control
17	YL 580026296		Cap Screw
18	YL 940004902		Washer

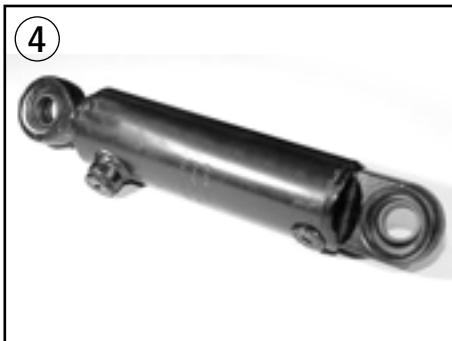
Hydraulics

Hydraulics

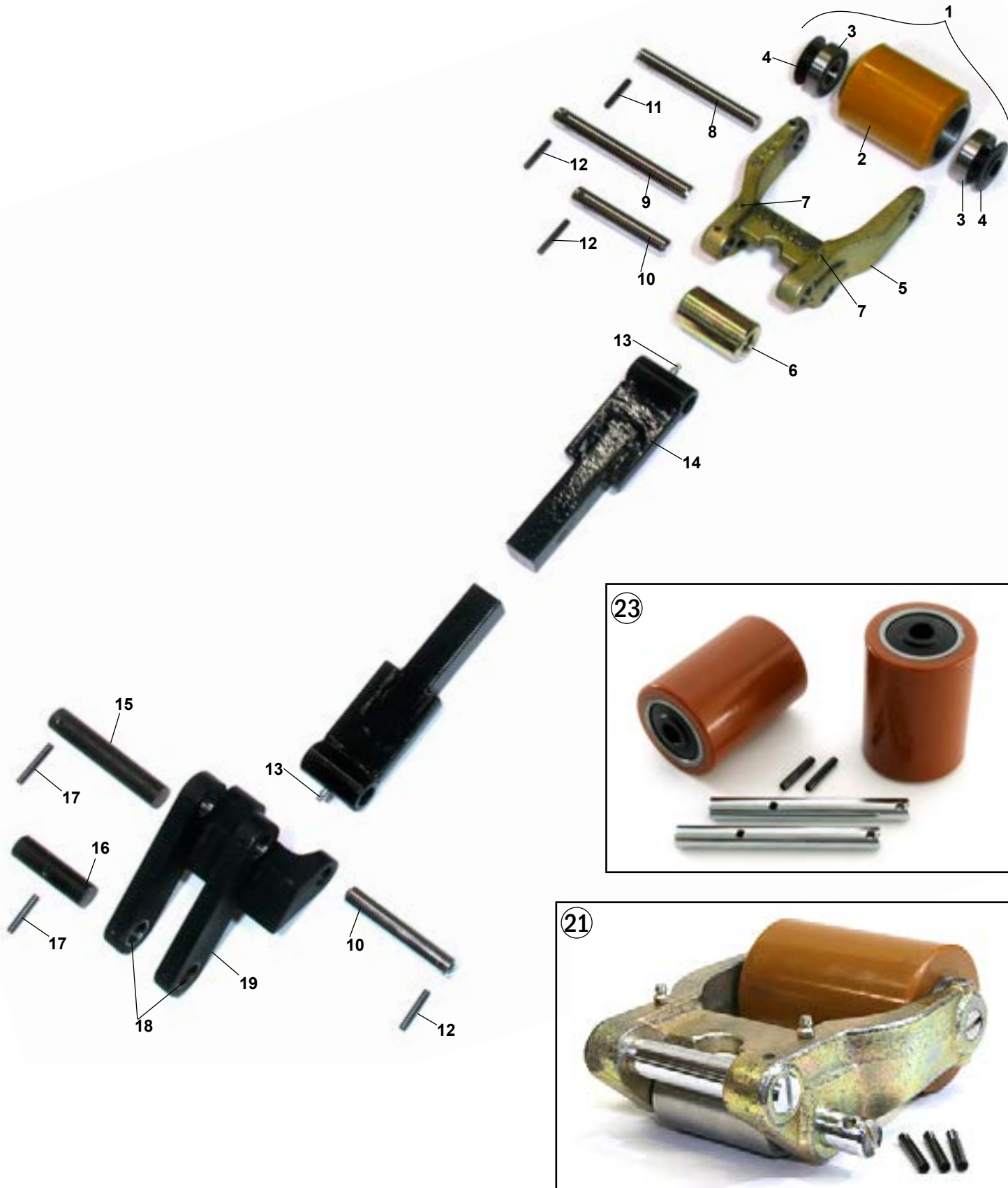
[back to Contents](#)



Item	Part No.	Date/Serial Range	Description
1	YL 580025912	Series B827	Hydraulic Power Unit
	YL 580026027	Series B802	Hydraulic Power Unit
			Hydraulic Motor See Motor Section Page 12
2	YL 580012673	B827 & B802	Solenoid Valve
3	YL 580015604		Breather
4	YL 524149215		Lift Cylinder
5	YL 524151086		Seal Kit, Lift Cylinder
6	YL 501710910		Hose
7	YL 500421901		Fitting, Hose to Pump Body
8	YL 524149331		Fitting, Hose to Cylinder
9	YL 310913284		Tube (Not Shown)
10	YL 504114800		Fitting, Tube to Cylinder



Load Wheel & Lift Linkage

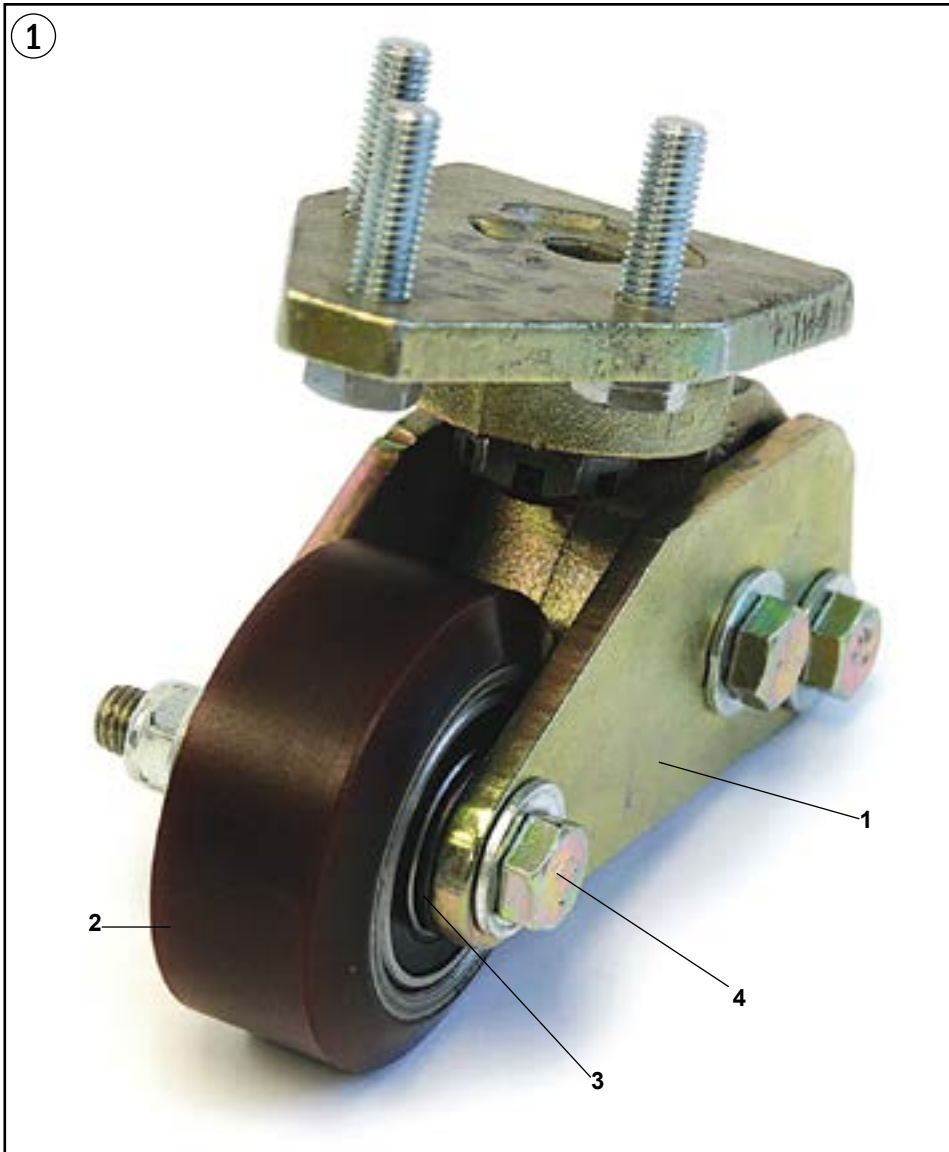


Load Wheel & Lift Linkage

[back to Contents](#)

Item	Part No.	Description
1	YL 524250486	Load Wheel Assembly, with Shielded Bearings & String Guards, 95-A
	YL 524250482	Load Wheel Assembly, with Sealed Bearings & String Guards, 95-A
	YL 582010234	Load Wheel Assembly, with Stainless Steel Bearings & String Guards, 95-A
	YL 524250486-XL	Load Wheel Assembly, with Shielded Bearings & String Guards, 97-A
	YL 524250482-XL	Load Wheel Assembly, with Sealed Bearings & String Guards, 97-A
	YL 582010234-XL	Load Wheel Assembly, with Stainless Steel Bearings & String Guards, 97-A
2	YL 524148750	Poly Load Wheel, 95-A
	YL 524148750-XL	Poly Load Wheel, 97-A
3	YL 524148751	Wheel Bearing, Metal Shields
	YL 550023493	Wheel Bearing, Stainless Steel
	YL 550033934	Wheel Bearing, Rubber Shields
4	YL 524148752	Bushing, String Guard
5	YL 524250478	Riser Bracket
6	YL 751791300	Steel Exit Roller
7	YL 524148462	Lube Fitting
8	YL 524148753	Load Wheel Axle, Freezer/Corrosion Resistant
9	YL 585096306	Pivot Pin, Freezer/Corrosion Resistant
10	YL 585096307	Pivot Pin, Freezer/Corrosion Resistant
11	YL 524148755	Spiral Pin
12	YL 585096802	Spiral Pin
13	YL 953700901	Lube Fitting
14	YL 585094505	Push Rod, 48" Fork Length
15	YL 585096303	Pivot Pin, Freezer/Corrosion Resistant
16	YL 585096302	Pivot Pin, Freezer/Corrosion Resistant
17	YL 585096801	Spiral Pin
18	YL 640434100	Bushing
19	YL 524144864	Lower Rear Link, Right Hand Side
20	YL 524144865	Lower Rear Link, Left Hand Side (not shown)
21	YL 524143966	Complete Riser Assembly, with Load Wheel Assembly, 95-A
	YL 524143966-XL	Complete Riser Assembly, with Load Wheel Assembly, 97-A
22	YL 150118854	Poly Load Wheel & Axle Assembly, 95-A
	YL 150118854-XL	Poly Load Wheel & Axle Assembly, 97-A
23	GWK-MPB040E-LW	Load Wheel Kit: (2) Poly Load Wheel Assemblies, with (2) Axles and Fasteners
	GWK-MPB040E-LW-XL	Load Wheel Kit: (2) XL-Poly Load Wheel Assemblies, with (2) Axles and Fasteners
	GWK-MPW045E-LW	Load Wheel Kit: (2) Poly Load Wheel Assemblies, with (2) Axles and Fasteners
	GWK-MPW045E-LW-XL	Load Wheel Kit: (2) XL-Poly Load Wheel Assemblies, with (2) Axles and Fasteners

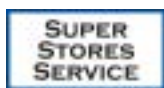
Caster Assembly - Skid Bar



Caster Assembly - Skid Bar

[back to Contents](#)

Item	Part No.	Date/Serial Range	Description
1	YL 580023164		Caster Assembly, After-Market Replacement
2	YL 524149213 YL 524149213-XL		Caster Wheel Assembly, 95-A, Incl Bearings Caster Wheel Assembly, 97-A, Incl Bearings
3	YL 524149643		Bushing
4	YL 524149495		Axle, Bolt & Nut
5	YL 524149414	S/N B827N09868 & Later	Stabilizer
	YL 524205967	S/N B827N09869A & Later	Stabilizer
6	YL 449001015		Cap screw
7	YL 449022013		Lockwasher
8	YL 524207577		Plate (Not Shown)



800-462-2370

www.SuperStoresService.com